



Technical features, standard equipment,
optional features and dimensional data



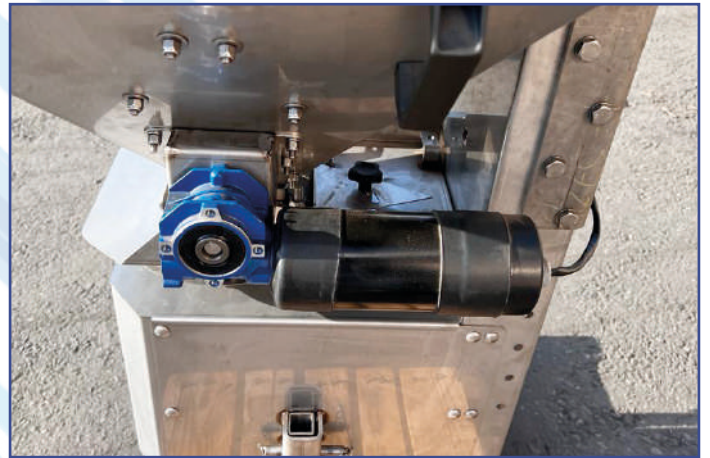
ASPEN

SALT SPREADER

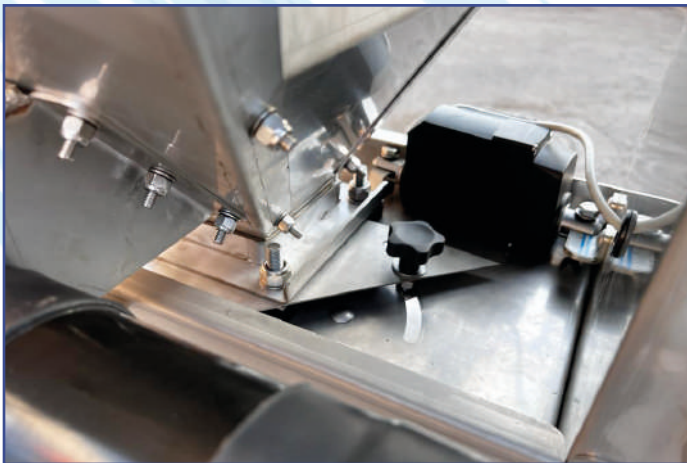
STANDARD EQUIPMENT



Electric crusher inside the hopper



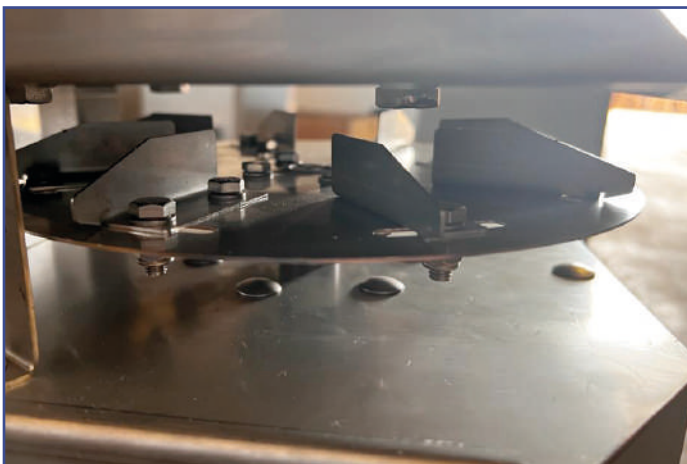
Electric crusher outside the hopper



Electric actuator for on/off spreading



Internal metal protection hopper



Spreading disc with adjustable palette



Parking legs

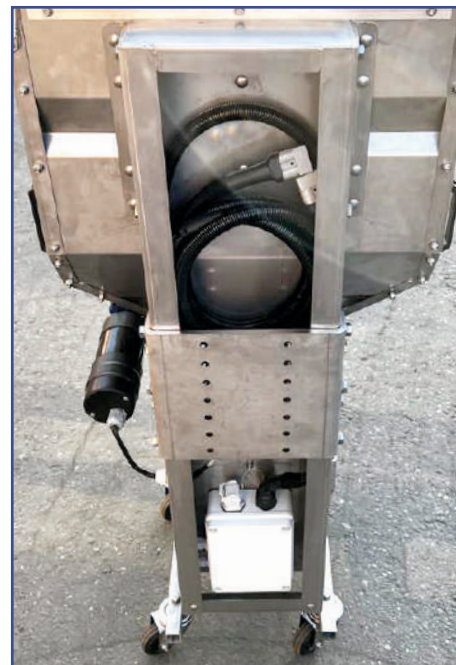
SALT SPREADER ASPEN



Door for the adjustment
of the spreading quantity



Control panel

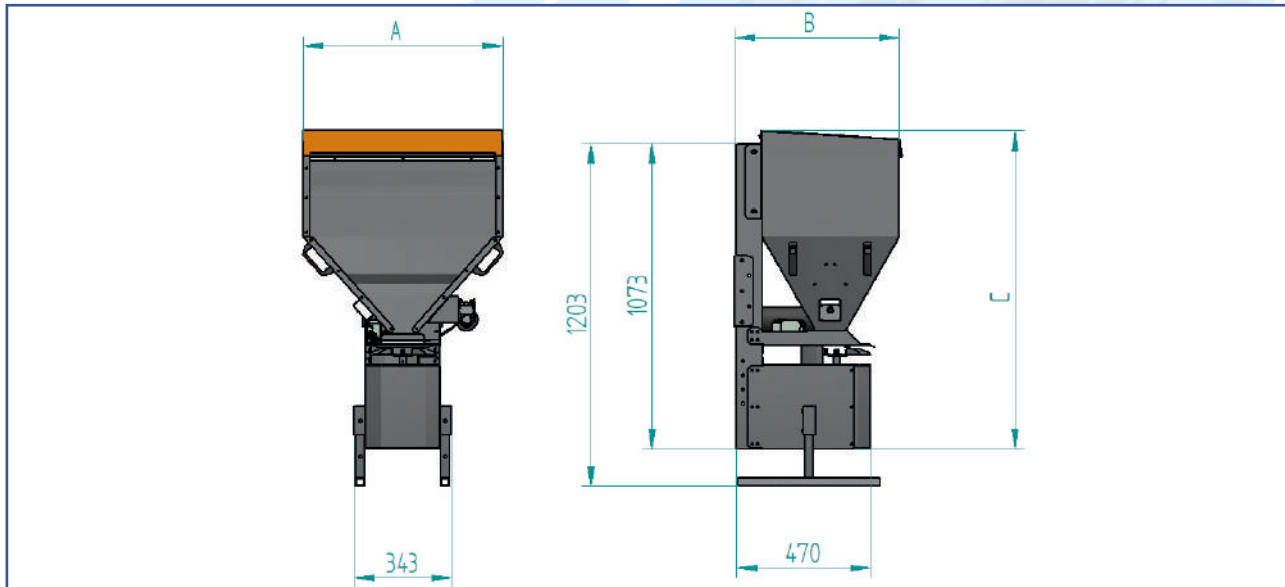


Rear attachment
(standard one)

PHOTO GALLERY



TECHNICAL SHEET



MAIN FEATURES

CODE	MODEL	A (mm)	B (mm)	C (mm)	WEIGHT (kg)
5010816	ASPEN 125	548	570	1120	94
5010817	ASPEN 150	700	570	1120	104
5010818	ASPEN 220	700	570	1400	120

1. Classification

Aspen salt spreader designed to fit trucks with GVW up to 35 quintals, forklifts, vehicles and pick-ups. Completely made of AISI 304 stainless steel.

2. Operation mode

Electrically driven (12V) through connection to the battery of the vehicle (24V - UPON REQUEST).

3. Accessories: standard version

Internal screening grid, 12V electric system, electric crusher, internal metal protection, control panel, PVC tarpaulin cover, standard rear bolted attachment (to be completed with the vehicle attachment), parking legs, lifting handles.

4. Optional

3 point hitch attachment for agricultural tractor, support for rear side back attachment (pic-up or truck), rear attachment for quad, rear attachment for forklift, wheels for the transportation of the salt spreader (to be bolted under the parking legs).



MADE-IN-ITALY

SNOW SERVICE S.R.L.

Via dell' Industria, 34 - 41013, Castelfranco Emilia (MO), ITALIA
Site: Piumazzo

www.snowservicesrl.com
info@snowservicesrl.com

Phone +39 059 931483
Fax +39 059 934307